



**PCORE**  
ELECTRIC

**KV CLASS** 46 kV **BIL** 250 kV **Uy** 29 kV

**CURRENT RATING**

400 AMP DRAW LEAD CONNECTION

**DWG.** **CATALOG NUMBER** **GLAZE COLOR**

SD B-89401 BROWN

SD B-89401-70 LT. GRAY

**TITLE**

PRC BUSHING

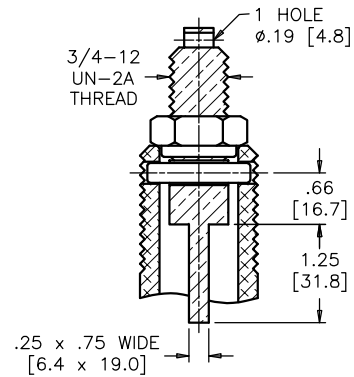
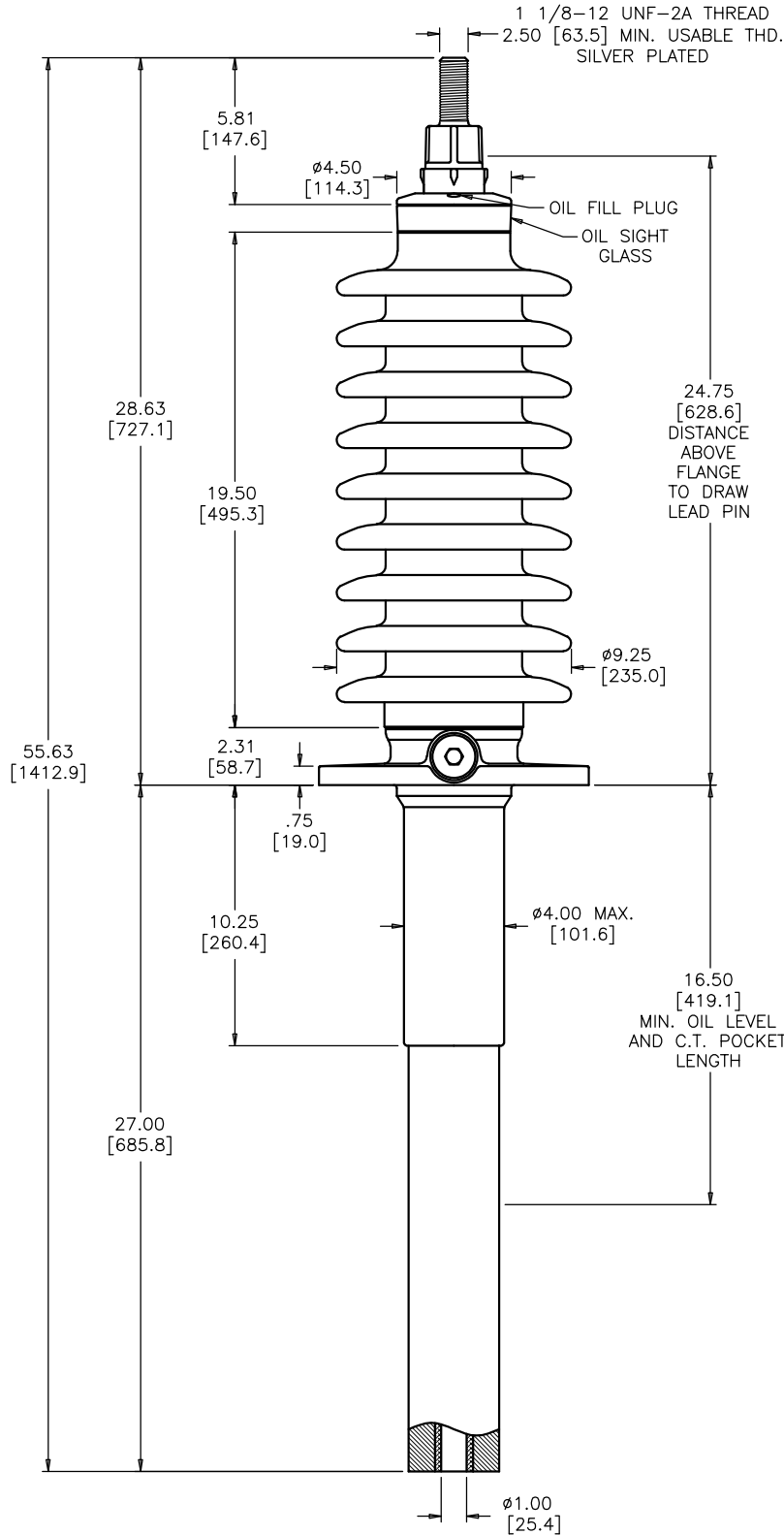
<b>DATE</b>	2-19-92	<b>REV. DATE</b>	4-1-20
<b>MAXIMUM ALTITUDE</b>	10000 ft [3000 m]		
<b>NET WEIGHT</b>	80 lb [36 kg]		
<b>ANGLE OF INCLINATION FROM THE VERTICAL</b>	0° TO 70°		

**MIN. CREEP** 49.00 [1244.6] **MIN. STRIKE** 21.00 [533.4]

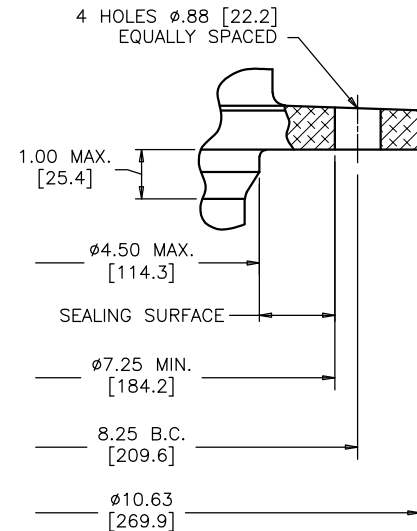
**CREEP/L-G** 1.85 [46.9] **STD.** IEEE C57.19.00/01

PCB CONTENT OF OIL IS LESS THAN 1 ppm

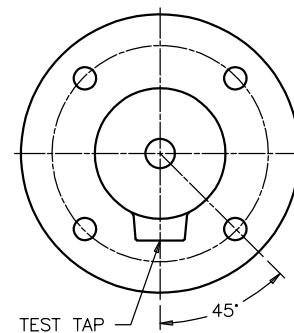
NOTE: ACTUAL DRAW-LEAD CURRENT RATING IS DETERMINED BY CABLE SIZE



**DRAW LEAD ASSEMBLY**



**MOUNTING FLANGE DETAIL**



**FLANGE ALIGNMENT DIAGRAM TOP VIEW**

DIMENSIONS IN INCHES [MILLIMETERS]

**REVISION** NET WEIGHT WAS 83 lbs

**SCALE** 1/5

NOTE TO PURCHASER: ALL SALES OF PCORE PRODUCTS ARE SUBJECT TO OUR STANDARD TERMS AND CONDITIONS AND THE LIMITED WARRANTIES THEREUNDER